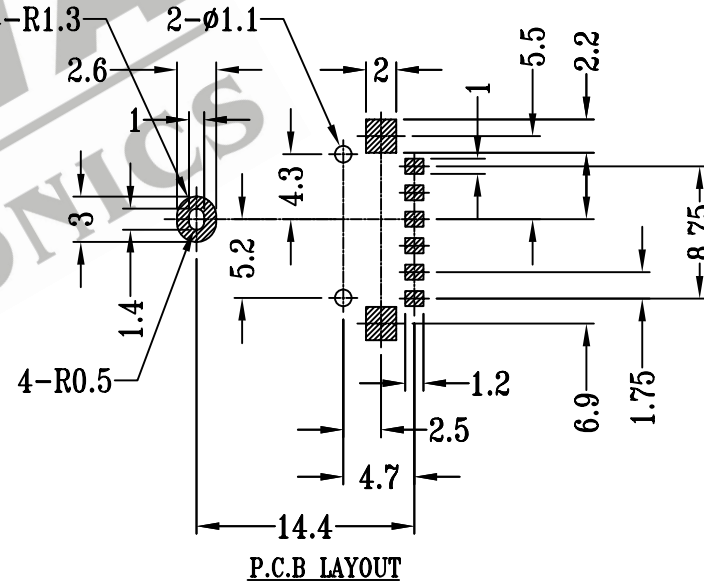
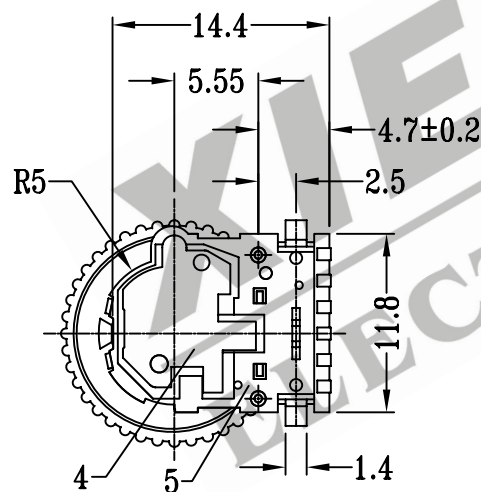
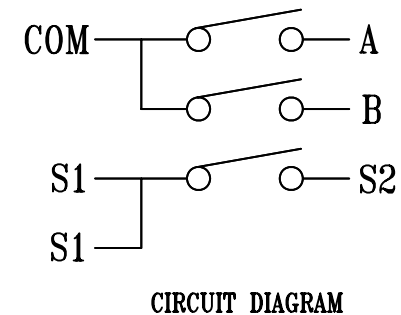
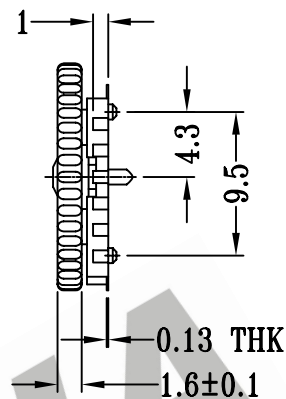
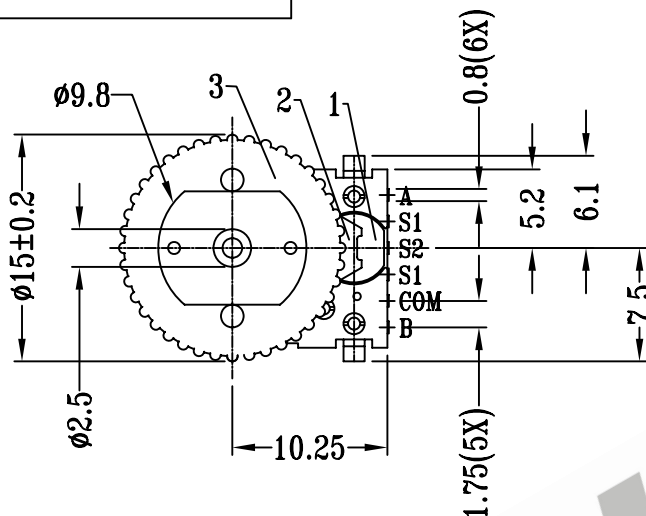
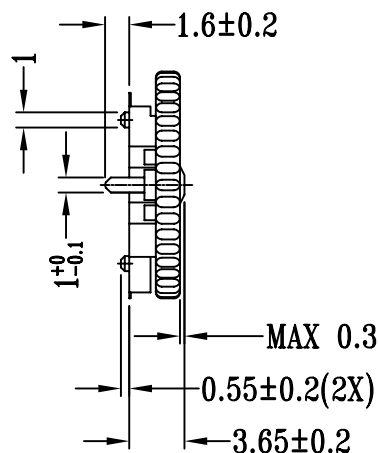


CAD FILE:



|     |                 |                |      |                 |   |                                      |              |                          |           |            |
|-----|-----------------|----------------|------|-----------------|---|--------------------------------------|--------------|--------------------------|-----------|------------|
| 8   | CIRCUIT ROTATOR | PA46/PBS C5210 | 1    | BLACK/Ag CLAD   | TOLERANCE<br>UNLESS SPECIFIED           | SHENZHEN XIEJIA ELECTRONICS CO.,LTD. |              |                          |           |            |
| 7   | CONTACT         | SUS            | 1    | Ag CLAD         |   |                                      |              |                          |           |            |
| 6   | SPRING CLICK    | SUS            | 1    | WASHING         | WITHIN: 1.5±0.1mm<br>OVER : 1.5±0.2mm   | ISSUE                                | DATE         | DESCRIPTIONS OF REVISION |           | APPD.      |
| 5   | CASE            | PA46/PBS C5210 | 1    | BLACK/Ag PLATED |   |                                      |              |                          |           |            |
| 4   | COVER           | Zn             | 1    | NATURAL         | TITLE : MULTI FUNVTION SWITCH           |                                      | UNIT : mm    | DRWG NO.: XJ-DR-MT006-00 |           |            |
| 3   | KNOB WHEEL      | PA46           | 1    | BLACK           |   |                                      |              |                          |           |            |
| 2   | TACT PUSH       | PA46           | 1    | GREY            | MODEL: MT-006                           |                                      | SCALE: 2 : 1 | DWN.                     | ZHOUYU    | 2002-10-19 |
| 1   | SEAL PLATE      | PET            | 1    | YELLOW          |   |                                      |              | CHK'D                    | FANGYING  | 2002-10-19 |
| NO. | PARTS           | MATERIALS      | Q'TY | FINISH          | ALL MATERIALS MUST BE COMPLIANT TO ROHS |                                      |              | APPD.                    | KANGXINAN | 2002-10-19 |